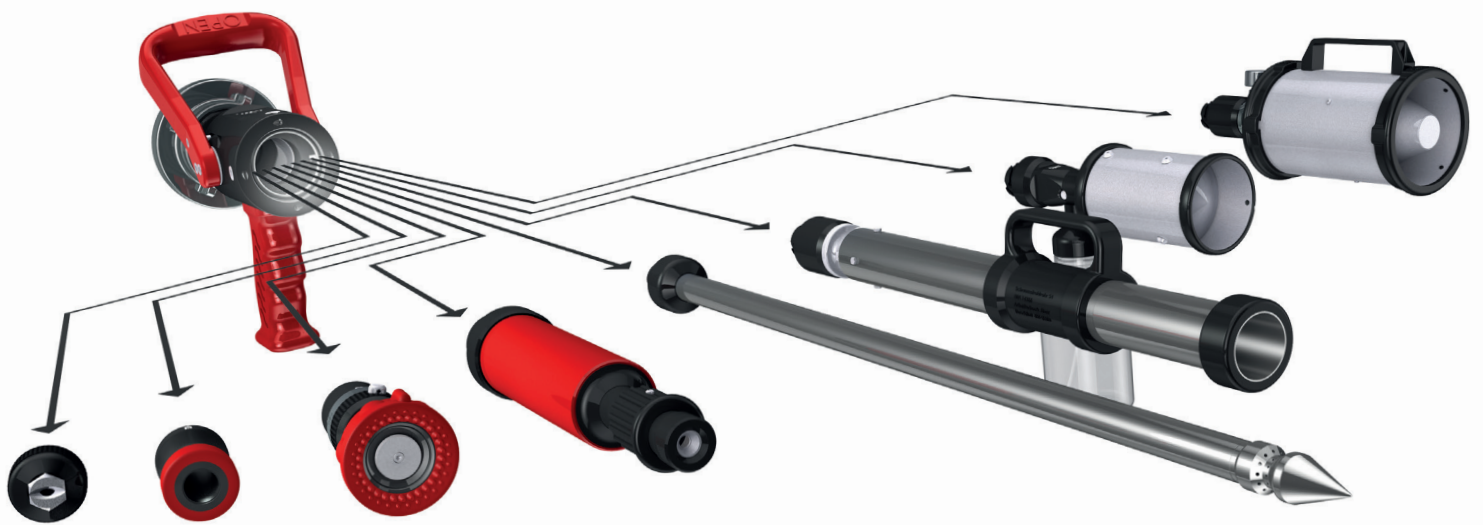


TURBO-TWIST NOZZLE PIPE SYSTEM >

Hollow stream
Flat jet
Full jet
CAFS
Medium foam
Heavy foam
Wetting agent

No matter where the fire is and what is burning.
With AWG Turbo-Twist – the multifunctional
nozzle pipe – you are always perfectly equipped.
Saving space on the truck at the same time >

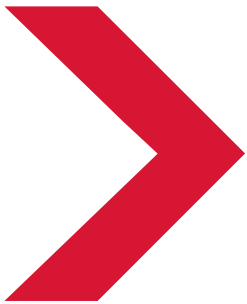


**AWG TURBO-TWIST.
THE NOZZLE PIPE FOR ALL
APPLICATIONS!**

AWG

A Unit of IDEX Corporation





NO MATTER WHAT KIND OF FIRE IS RAGING WHEN YOU ARE CALLED TO AN EMERGENCY – **AWG TURBO-TWIST** IS THE RIGHT SOLUTION. WHETHER AS A FOAM PIPE ON THE RAPID INTERVENTION HOSE OR AS A TYPICAL HOLLOW STREAM NOZZLE ON THE C-HOSE, THE **SYSTEM NOZZLE PIPE** HAS THE RIGHT SOLUTION FOR EVERY APPLICATION.

Alongside all the customary standard applications for distributing extinguishing agents such as hollow stream, full jet and foam pipes, the AWG Turbo-Twist system also provides special attachments for specific applications. Achieve maximum fire-fighting flexibility coupled with minimum space requirements in the vehicle and low equipment weight.



TURBO-TWIST SHUT-OFF DEVICE

The shut-off device is at the heart of the Turbo-Twist system nozzle pipe. While the inlet is equipped with a standard coupling, the AWG Turbo-Twist interface can be found at the outlet. Here, the spring-loaded and self-locking bayonet connectors of the interchangeable nozzles lock securely in place and can no longer become loose under pressure. Just position the required interchangeable nozzle according to the marking and lock it in place – a secure connection in just seconds. And just as easily pull the interchangeable nozzle towards you in the usual usage position, turn it anti-clockwise and disconnect it in no time – for changing extinguishing attachments at turbo speed.



TURBO-TWIST NOZZLE PIPE SYSTEM >



- Nozzle changing as quick as a flash
- No need to shut off the hose at the supply when changing the nozzle
- Function of the Turbo-Twist nozzles corresponds to the function of the respectively independent nozzle pipe
- Minimum space requirement in the vehicle
- Suitable for use with water, foam and wetting agents

The handling, design and function of the AWG Turbo-Twist shut-off device correspond to the AWG Turbo nozzle: opening and closing are done by means of a large aluminium switching lever. A sturdy aluminium handle guarantees straightforward handling of the Turbo-Twist system nozzle pipe in action. The ball bearing mount allows the coupling to be rotated under pressure.



ID 202 318 33

Inlet	Inlet rotatable	Outlet	Handle	LxWxH [mm]	Weight [kg]	AWG ID no.
G 2" A	✓	TT	✓	177x109x246	1.5	202 318 33
Storz 52-C	✓	TT	✓	200x109x246	1.7	606 624 33
Storz 75-B	✓	TT	✓	230x126x246	1.9	606 636 33

Accessories for the shut-off device



ID 300 799 59

CARTRIDGE ADAPTER FIRE-EX TURBO 1000

Suitable for size	Weight [kg]	AWG ID no.
Storz 52-C; Storz 75-B	0.02	300 799 59



ID 504 096 99

WETTING AGENT FIRE-EX TURBO 1000

Unit/pack	Weight [kg]	AWG ID no.
20	2.4	504 096 99

HOLLOW STREAM NOZZLE T 2235 TT



HOLLOW STREAM NOZZLES

The AWG Turbo-Twist shut-off device becomes a typical hollow stream nozzle in combination with a hollow stream nozzle pipe. These have the tried-and-trusted features of the AWG Turbo nozzle:



ID 606 635 33



ID 300 018 33

- 2 pointers for safe handling of the nozzle pipe at zero visibility
- Clearly audible and tangible snap-in points for the settings to be carried out
- Short switching paths for setting flow quantity and jet type
- Setting of jet type by turning the nozzle head from full jet (0°) through spray jet (45°), to flash-over or personal protection position (120°)
- Optimum extinguishing effect thanks to combination of turbo wheel and fixed outer toothed wheel. The jet is reflected inwards and creates a spray cone filled with droplets for binding high quantities of heat. The turbo wheel also guarantees minimum droplet sizes.

Nominal size	Inlet	Flow range / 6 bar [l/min]	Turbo wheel	LxWxH [mm]	Weight [kg]	AWG ID no.
T 2130 TT	TT	40-80-130		165x70x78	0.9	606 635 33
T 2235 TT	TT	60-130-235	✓	184x92x99	1.2	606 609 33
T 2400 TT	TT	130-235-400	✓	184x92x99	1.2	303 986 33
T 2750 TT	TT	360-550-750		233x112x119	2.1	300 018 33

Accessories for hollow stream nozzles

FOAM ATTACHMENTS FOR HOLLOW STREAM NOZZLES



ID 300 108 33

	AWG ID no.
Size 1, suitable for hollow stream nozzle 2130	300 074 33
Size 2, suitable for hollow stream nozzle 2235, 2400	303 892 33
Size 3, suitable for hollow stream nozzle 2750	300 108 33

TURBO-TWIST NOZZLE PIPE SYSTEM >

FLAT JET NOZZLE TT



FULL JET NOZZLE TT



FLAT JET NOZZLE TT

The flat jet nozzle is just as suitable for the effective cooling and extinguishing of large surfaces with a horizontal focussed jet as it is for cleaning road surfaces and walls.

Inlet	Flow / 6 bar [l/min]	Throw distance at 6 bar	Spraying angle [°]	Spraying cone	Ø/L [mm]	Weight [kg]	AWG ID no.
TT	130	12 m	45	flat	70x75	0.5	404 859 33

FULL JET NOZZLE TT

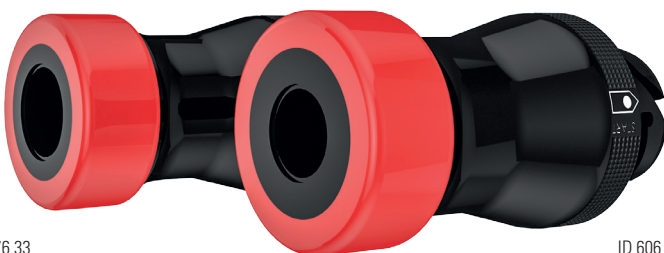
The tightly compacted full jet with high penetration power is used for cleaning and decontamination work.

Inlet	Ø nozzle [mm]	Flow [l/min]	Throw distance at 6 bar	Ø/L [mm]	Weight [kg]	AWG ID no.
TT	10	175 l/min at 6 bar 160 l/min at 5 bar	25 m	70x80	0.5	606 628 33

CAFS-NOZZLE TT

AWG Turbo-Twist combined with nozzles for producing compressed air foam (CAFS: compressed air foam system) makes the efficient fire-fighting of liquid and solid media possible while minimising water damage. The range includes special nozzle attachments for compressed air foam systems on the market. The respective nozzle dimensions are matched to the ideal foam production of the systems.

Nominal size	Inlet	Ø tip [mm]	Ø/L [mm]	Weight [kg]	AWG ID no.
D25	TT	25	70x135	0.7	606 375 33
D32	TT	32	70x135	0.8	606 376 33



ID 606 376 33

ID 606 375 33



ID 300 116 45

PIERCING NOZZLE TT

The attachment for getting through walls or getting to other areas which are difficult to access behind doors, in intermediate floors and walls or for use in containers, for example.

Inlet	Flow / 6 bar [l/min]	Spraying angle [°]	Spray pattern [m]	Ø/L [mm]	Weight [kg]	AWG ID no.
TT	220	140	Ø 2, hollow	70x1120	3.2	300 116 45



ID 404 932 44

HAMMER TIP FOR PIERCING NOZZLE TT

In preparation for use of the piercing nozzle, the hammer tip can be used if necessary to gain access to concealed fire sources. The hammer tip can be used to strike holes of up to 40mm in diameter and a depth of 60mm.

Weight [kg]	AWG ID no.
5.0	404 932 44

WETTING AGENT NOZZLE FIRE EX

The wetting agent nozzle Fire-Ex comprises a cartridge adapter and refillable wetting agent cartridge. The wetting agent dissolves when water passes through, in a similar way to soap, thus reducing the surface tension of the water. This makes it easier for the extinguishing agent to penetrate porous to low-permeability materials such as textiles, foams, polystyrene, wood, hay, natural and synthetic fibres. The wetting agent also has a cleaning and grease-dissolving property and has thus proved itself for the dissolving of residual oils from machines, vehicles or traffic surfaces. The wetting agent is environmentally friendly in compliance with EC directives.



ID 606 623 33

Inlet	Admixing rate [%]	Spraying angle [°]	Ø/L [mm]	Weight [kg]	AWG ID no.
TT	0.02	40	100x516	4.1	606 623 33

WETTING AGENT FIRE EX



ID 604 656 99

Unit/pack	LxWxH [mm]	Weight [kg]	AWG ID no.
6	270x220x115	5.0	604 656 99

TURBO-TWIST NOZZLE PIPE SYSTEM >



SWITCHABLE FOAM PIPE NOZZLE VENTURI S/M TT

As a compact, self-priming foam pipe with integrated 2L foam cylinder, the Turbo-Twist foam pipe nozzle Venturi 75 S/M is ideal for initial intervention with the rapid intervention hose in the event of vehicle fires. Simply turning the stainless steel foam pipe switches continually between medium and heavy foam. The admixing rate can be set to between 0% - 3% in action. The foam coefficient is 12-50.

Nominal size	Flow / 6 bar [l/min]	Throw distance at 6 bar	Admixing rate [%]	LxWxH [mm]	Weight [kg]	AWG ID no.
75 S/M	75	Heavy foam approx. 10 m Medium foam approx. 4 m	0/0.5/1/3	365x120x373	2.7	202 357 33

FOAM PIPE NOZZLES TT (MEDIUM FOAM & HEAVY FOAM)



The system nozzle pipe Turbo-Twist also provides suitable foam pipe nozzles for use with water-foam mixtures produced using the AWG inductors Z2 & Z4 or an integrated mixing system in the vehicle. All areas of application are covered, from medium foam pipe nozzles through heavy foam pipe nozzles to switchable foam pipe nozzles.

ID 606 641 33

Nominal size	Inlet	Flow / 5 bar [l/min]	Throw distance / 6 bar [m]	Foam coefficient	Ø/L [mm]	Weight [kg]	AWG ID no.
M2	TT	200	8	M=50-60	194x450	3.3	606 616 33
M4	TT	400	10	M=50-60	265x540	4.3	606 617 33
S2	TT	200	23	S=15	70x670	1.7	606 618 33
S4	TT	400	26	S=15	90x760	2.9	606 619 33
S2/M2	TT	200	S=16; M=7	S=15; M=50	194x510	4.7	606 641 33
S4/M4	TT	400	S=27; M=8	S=15; M=50	265x590	6.7	606 642 33

HOLLOW STREAM NOZZLE VENTURI TT

Fast extinguishing, effective heat dissipation, reduction of surface tension and improved visibility: the self-priming Turbo-Twist hollow stream nozzle Venturi impresses in combination with the unique and eco-friendly extinguishing foam concentrate F-500® on account of its extraordinary effectiveness and intuitive handling.



Nominal size	Inlet	Flow / 6 bar [l/min]	Throw distance	Dosing rate [%]	Container volume [l]	LxWxH [mm]	Weight [kg]	AWG ID no.
75	TT	75	Full jet 8 m Spray jet 6 m	0/0.5/1/3	2	195x120x358	1.5	202 289 33
130	TT	130	Full jet 12 m Spray jet 6 m	0/0.1/0.5/1	2	195x120x358	1.5	620 400 33

ID 202 289 33

FOAM CONCENTRATE F-500 ENCAPSULATOR TECHNOLOGY®



Packaging unit [l]	Weight [kg]	AWG ID no.
2	2.1	620 407 62
20	22	620 403 62

TURBO-TWIST NOZZLE PIPE SYSTEM <



ID 606 675 33



ID 606 762 33

TURBO-TWIST ADAPTERS

The Turbo-Twist adapters make it possible to use existing nozzle and foam pipes in combination with the Turbo-Twist shut-off device.

Inlet	Outlet	Lug spacing [mm]	LxWxH [mm]	Weight [kg]	AWG ID no.
TT	G 1 1/2" outer thread		68x70x70	0.3	606 284 33
TT	G 2" inner thread		90x70x70	0.3	606 675 33
TT	25-D	31	92x70x70	0.3	606 761 33
TT	52-C	66	118x98x98	0.5	606 762 33
TT	75-B	89	122x126x126	0.7	606 763 33



Would you like to receive more information or require technical advice? Just give us a call!

+49 7340 91 88 98-0

Simply send your inquiry by email to

awg-info@idexcorp.com

Visit our website for an overview of our products and services

www.awg-fittings.com

Those who save lives every day and protect material assets need tools to rely on. Lots of them decide to take tools made by AWG and Alco.

Two brands which together offer one of the widest ranges of premium equipment for the rescue services.



AWG Fittings GmbH . Germany
A Unit of IDEX Corporation

© AWG Fittings GmbH, M1-015-F02-00-06/18
Subject to changes and errors without notice.